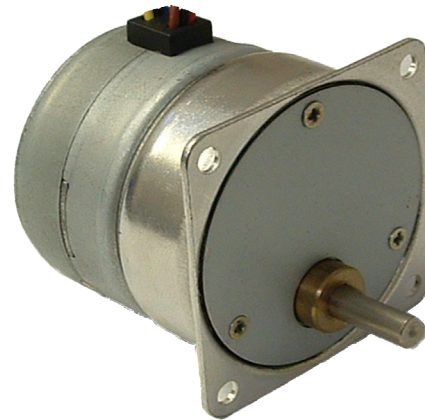


# TGM42-075-40-12V-040A Series



## FEATURES

- Permanent Magnet Stepper Gear Motor
- High Torque in a Small Package at a Low Cost
- Max Torque Range from 1100 to 4000 g-cm
- Various Gear Ratios available: 10, 25 and 50
- 42 mm Diameter Frame Size
- CE Certified and RoHS Compliant



## DESCRIPTION

The TGM42 Series are small Permanent Magnet DC gearmotors measuring 42mm in diameter, and providing from 36 to 141 ounce inches of bipolar torque. These CE Certified motors provide a 7.5° step angle, 10:1, 25:1, or 50:1 gear ratios, and a six-lead wire connection as standard. Customization is available for larger quantities.

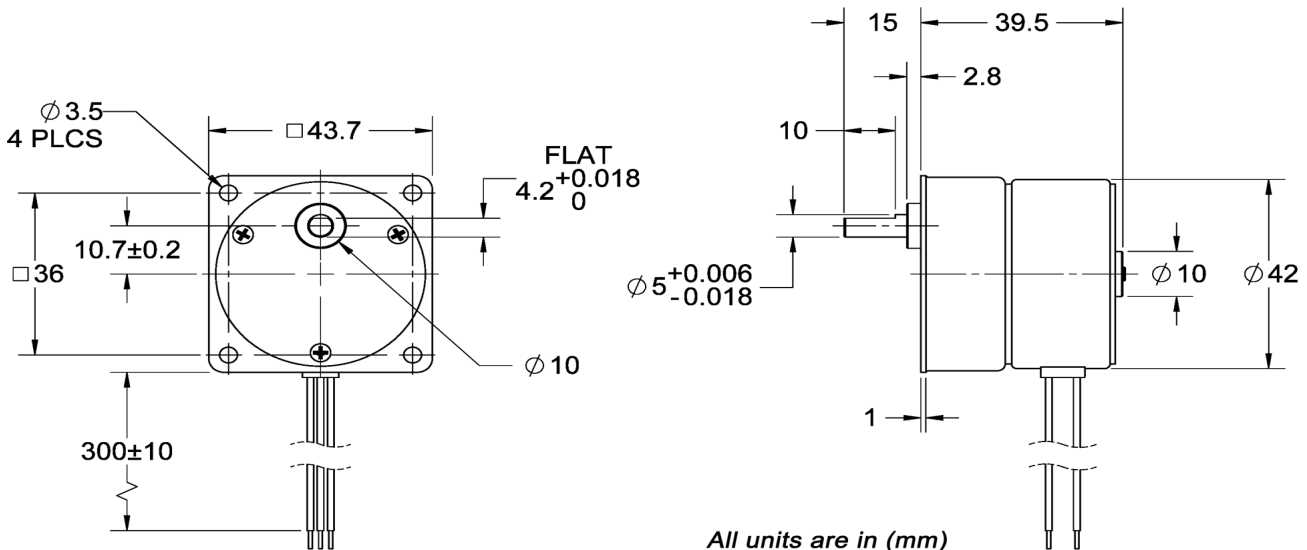
## SPECIFICATIONS

Item	Specifications
Step Angle Accuracy	± 7% (full step, no load)
Resistance Accuracy	± 10%
Inductance Accuracy	± 20%
Temperature Rise	80° C Max
Ambient Temperature	-20° C to + 50°C
Insulation Resistance	100M Ω Min., 500VDC
Dielectric Strength	500VAC for one minute

Model	Step Angle (deg)	Gear Ratio	# Of Wires	Voltage (V)	Current Per Phase (A)	Holding Torque (g-cm)	Detent Torque (g-cm)
TGM42-075-40-12V-040A-10R-LW6	7.5	10:1	6	12	0.40	1100	850
TGM42-075-40-12V-040A-25R-LW6	7.5	25:1	6	12	0.40	2500	1600
TGM42-075-40-12V-040A-50R-LW6	7.5	50:1	6	12	0.40	4000	2100

DIMENSIONS

TGM42-075-40-12V-040A Series



All units are in (mm)

WIRING DIAGRAM

